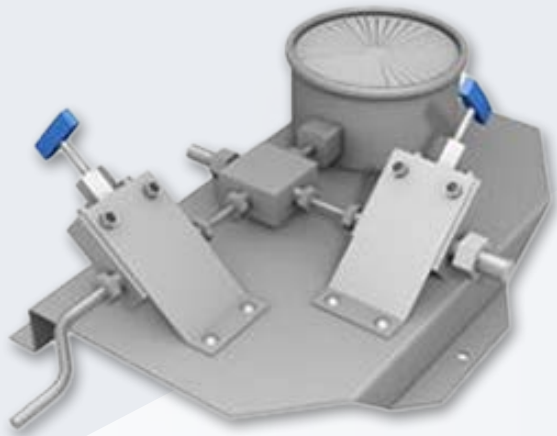


Manifolds



Key features

For use in 1/4", 1/2", or 3/8" control lines

Pressure range: 1,000 – 30,000 psi

Stainless steel frame with easy fixing plates

Bespoke designs available

OEG's range of BlueManta manifolds isolate and monitor pressure for control lines. They feature gauges, isolation needle valves, and optional Pressure Release Valves (PRVs) for running chemical injection line to protect the sheer rating of the burst disc assembly. The PRV's can be set at any pressure in order to meet customer requirements. Manifolds are mounted on a stainless-steel frame and come complete with a backing plate for easy fixing to both wooden and steel spools of control line. A range of bespoke manifolds, including multiple manifolds with up to five outlet lines, are also available.

Please check exact specifications with your local representative when ordering.

Type	Part no.	Dimensions (H x W x D)	Pressure rating
20K Manifold	010-2001	300 x 205 x 118 mm 11.8" x 8.1" x 4.6"	1,000 – 20,000 psi
30K Manifold	010-3001	300 x 240 x 116 mm 11.8" x 9.4" x 4.6"	1,000 – 30,000 psi

Can't find what you are looking for?

Contact our global sales team at rentals.bluemanta@oeg.group or visit our website to find your regional representative at [oeg.group](https://www.oeg.group)

E & OE – All dimensions and weights are accurate at the time of creation. Please check exact specifications of units with your local representative when ordering.